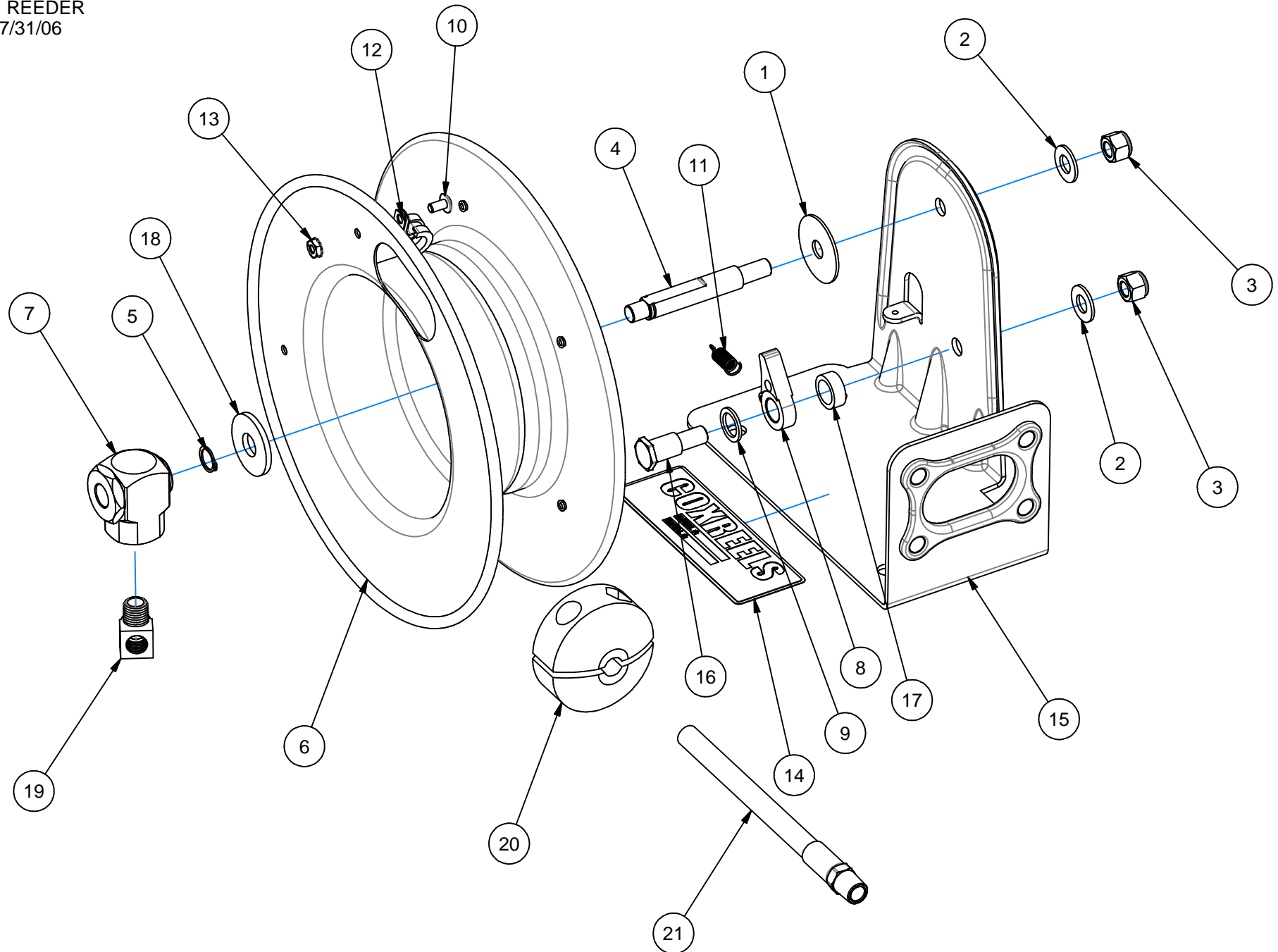


EXP-14

REVISION: -
ECO NO.: -
BY: G. REEDER
DATE: 7/31/06

COXREELS 'LG' SERIES



'LG' SERIES

DETAIL ITEM NO.	PART NO.	DESCRIPTION	LG-LP-115	LG-LP-125	LG-LP-135	LG-LP-310	LG-LP-320
1	8425	WASHER: 3/8" FENDER, 1.5" O.D.	1	1	1	1	1
2	157	WASHER: 3/8" NARROW	2	2	2	2	2
3	435	NUT: 3/8-16 NYLOCK	2	2	2	2	2
4	8604	AXLE: 1/2" DIAMETER	1	1	1	1	1
5	6326	RING: 1/2" RETAINING	1	1	1	1	1
6	8601-30	ASSEMBLY: SPRING AND DRUM	1	1	1	1	1
7	1969	ASSEMBLY: 1/4" SWIVEL	1	1	1	-	-
	1935	ASSEMBLY: 3/8" SWIVEL	-	-	-	1	1
8	640-1-SS	DOG: LOCKING	1	1	1	1	1
9	6441-1	WASHER: SPACER, .065"	1	1	1	1	1
10	245	SCREW: #10-32 X 3/8" PHILLIPS HEAD	1	1	1	1	1
11	274-1-SS	SPRING: LOCK DOG	1	1	1	1	1
12	2169	CLAMP: #8 HOSE	1	1	1	-	-
	381	CLAMP: #10 HOSE	-	-	-	1	1
13	130	NUT: #10-32 KEPS	1	1	1	1	1
14	10925-5	LABEL: STANDARD	1	1	1	1	1
15	8591	ASSEMBLY: BASE, BENCH REEL	1	1	1	1	1
16	1620	BOLT: 1/2" SHOULDER, CUSTOM	1	1	1	1	1
17	6440-SS	SPACER: .286" W X .75" O.D.	1	1	1	1	1
18	8374	WASHER: 1/2" NYLON	1	1	1	1	1
19	6088	ELBOW: STREET, 90 DEG. 1/4" NPT	1	1	1	-	-
	208	ELBOW: STREET, 90 DEG. 3/8" NPT	-	-	-	1	1
20	131	STOP: 1/4" HOSE	1	1	1	-	-
	131-3	STOP: 3/8" HOSE	-	-	-	1	1
21	5150-15	ASSEMBLY: 1/4" X 15' PVC HOSE	1	-	-	-	-
	5150-25	ASSEMBLY: 1/4" X 25' PVC HOSE	-	1	-	-	-
	5150-35	ASSEMBLY: 1/4" X 35' PVC HOSE	-	-	1	-	-
	5153-10	ASSEMBLY: 3/8" X 10' PVC HOSE	-	-	-	1	-
	5153-20	ASSEMBLY: 3/8" X 20' PVC HOSE	-	-	-	-	1

REVISION: -

ECO: -

DATE: 7/31/2006

NAME: G. REEDER