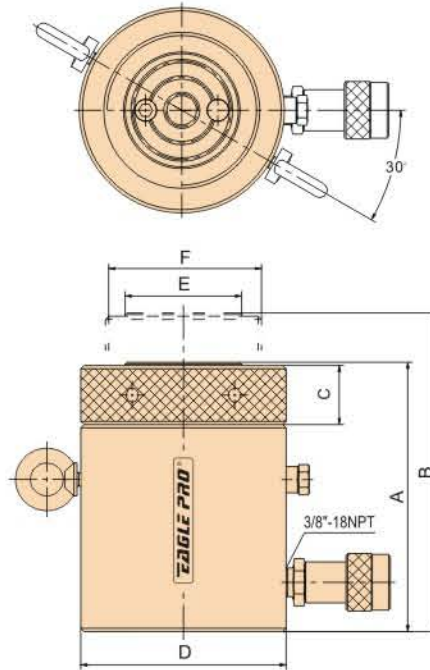




EL-1502, EL-1506



EL-SERIES SINGLE ACTING, LOCK NUT CYLINDERS

Features

- ◆ Safety Lock Nut for mechanical load holding.
- ◆ High flow EAB-201 quick coupler.
- ◆ Overflow port functions as a stroke limiter.
- ◆ Environmentally friendly painting process provides a durable corrosion resistant finish.

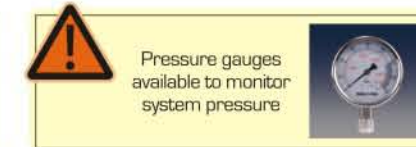
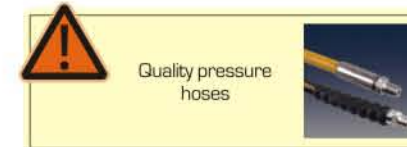


400 ton EAGLE PRO EL series hydraulic cylinders used in bridge building

Optional Tilt Saddle

| For use with Cylinder Capacity Metric Ton (US Ton) | Tilt Saddle Model | For use with Cylinder Capacity Metric Ton (US Ton) | Tilt Saddle Model |
|--|----------------------|--|----------------------|
| 50 (55) | ST-100 | 400 (440) | ST-400 |
| 100 (105) | ST-100 | 500 (550) | ST-500 |
| 150 (154) | ST-200 | 600 (660) | ST-600 |
| 200 (207) | ST-200 | 800 (880) | ST-800 |
| 250 (275) | ST-250 | 1000 (1100) | ST-1000 |
| 300 (330) | ST-300 | | |

Note: for more information please see the page 56



| Cylinder Capacity @ 700 Bar (10,000 PSI) Metric Ton (US Ton) | Stroke in | Model | Cylinder Effective Area | Oil Capacity | Collapsed Height | Extended Height | Lock Nut height | Outside Diameter | Saddle diam. | Piston Diam | Weight lbs |
|--|--------------|-----------|----------------------------|----------------------------|------------------|-----------------|-----------------|------------------|--------------|-------------|---------------|
| | | | Advance in ² | Advance in ³ | A in | B in | C in | D in | E in | F mm | |
| 50 (55) | 1.97 | EL-502 | 10.99 | 21.62 | 6.45 | 8.41 | 1.41 | 4.91 | 2.79 | Tr 95 × 4 | 33 |
| | 3.93 | EL-504 | 10.99 | 43.25 | 8.41 | 12.34 | 1.41 | 4.91 | 2.79 | Tr 95 × 4 | 44 |
| | 5.90 | EL-506 | 10.99 | 64.87 | 10.38 | 16.27 | 1.41 | 4.91 | 2.79 | Tr 95 × 4 | 55 |
| | 7.86 | EL-508 | 10.99 | 86.50 | 12.34 | 20.20 | 1.41 | 4.91 | 2.79 | Tr 95 × 4 | 66 |
| | 9.83 | EL-5010 | 10.99 | 108.12 | 14.31 | 24.13 | 1.41 | 4.91 | 2.79 | Tr 95 × 4 | 77 |
| 100 (105) | 11.79 | EL-5012 | 10.99 | 129.75 | 16.27 | 28.06 | 1.41 | 4.91 | 2.79 | Tr 95 × 4 | 88 |
| | 1.97 | EL-1002 | 20.57 | 40.47 | 7.35 | 9.31 | 1.73 | 6.48 | 2.79 | Tr 130 × 6 | 66 |
| | 3.93 | EL-1004 | 20.57 | 80.95 | 9.31 | 13.24 | 1.73 | 6.48 | 2.79 | Tr 130 × 6 | 85.8 |
| | 5.90 | EL-1006 | 20.57 | 121.42 | 11.28 | 17.17 | 1.73 | 6.48 | 2.79 | Tr 130 × 6 | 105.6 |
| | 7.86 | EL-1008 | 20.57 | 161.89 | 13.24 | 21.10 | 1.73 | 6.48 | 2.79 | Tr 130 × 6 | 123.2 |
| 150 (154) | 9.83 | EL-10010 | 20.57 | 202.37 | 15.21 | 25.03 | 1.73 | 6.48 | 2.79 | Tr 130 × 6 | 140.8 |
| | 11.79 | EL-10012 | 20.57 | 242.84 | 17.17 | 28.96 | 1.73 | 6.48 | 2.79 | Tr 130 × 6 | 160.6 |
| | 1.97 | EL-1502 | 31.17 | 61.34 | 8.21 | 10.18 | 1.73 | 8.10 | 5.11 | Tr 160 × 6 | 116.6 |
| | 3.93 | EL-1504 | 31.17 | 122.67 | 10.18 | 14.11 | 1.73 | 8.10 | 5.11 | Tr 160 × 6 | 145.2 |
| | 5.90 | EL-1506 | 31.17 | 184.01 | 12.14 | 18.04 | 1.73 | 8.10 | 5.11 | Tr 160 × 6 | 171.6 |
| 200 (207) | 7.86 | EL-1508 | 31.17 | 245.34 | 14.11 | 21.97 | 1.73 | 8.10 | 5.11 | Tr 160 × 6 | 202.4 |
| | 9.83 | EL-15010 | 31.17 | 306.68 | 16.07 | 25.90 | 1.73 | 8.10 | 5.11 | Tr 160 × 6 | 228.8 |
| | 11.79 | EL-15012 | 31.17 | 368.01 | 18.04 | 29.83 | 1.73 | 8.10 | 5.11 | Tr 160 × 6 | 257.4 |
| 250 (275) | 1.97 | EL-2002 | 41.66 | 81.98 | 9.55 | 11.51 | 1.97 | 9.27 | 5.11 | Tr 185 × 6 | 182.6 |
| | 5.90 | EL-2006 | 41.66 | 245.95 | 13.48 | 19.37 | 1.97 | 9.27 | 5.11 | Tr 185 × 6 | 259.6 |
| | 9.83 | EL-20010 | 41.66 | 409.92 | 17.41 | 27.23 | 1.97 | 9.27 | 5.11 | Tr 185 × 6 | 336.6 |
| 300 (330) | 1.97 | EL-2502 | 56.28 | 110.75 | 9.79 | 11.75 | 2.2 | 10.81 | 5.9 | Tr 215 × 6 | 255.2 |
| | 5.90 | EL-2506 | 56.28 | 332.24 | 13.72 | 19.61 | 2.2 | 10.81 | 5.9 | Tr 215 × 6 | 358.6 |
| | 9.83 | EL-25010 | 56.28 | 553.73 | 17.65 | 27.47 | 2.2 | 10.81 | 5.9 | Tr 215 × 6 | 462 |
| 400 (440) | 1.97 | EL-3002 | 70.12 | 137.98 | 11.59 | 13.56 | 2.36 | 12.18 | 5.46 | Tr 240 × 6 | 380.6 |
| | 5.90 | EL-3006 | 70.12 | 413.95 | 15.52 | 21.42 | 2.36 | 12.18 | 5.46 | Tr 240 × 6 | 512.6 |
| | 9.83 | EL-30010 | 70.12 | 689.91 | 19.45 | 29.28 | 2.36 | 12.18 | 5.46 | Tr 240 × 6 | 644.6 |
| 500 (550) | 1.97 | EL-4002 | 85.48 | 168.21 | 13.17 | 15.13 | 2.75 | 13.76 | 6.25 | Tr 265 × 6 | 552.2 |
| | 5.90 | EL-4006 | 85.48 | 504.62 | 17.10 | 22.99 | 2.75 | 13.76 | 6.25 | Tr 265 × 6 | 719.4 |
| | 9.83 | EL-40010 | 85.48 | 841.04 | 21.03 | 30.85 | 2.75 | 13.76 | 6.25 | Tr 265 × 6 | 886.6 |
| 600 (660) | 1.97 | EL-5002 | 113.18 | 222.71 | 14.74 | 16.70 | 3.14 | 15.72 | 7.03 | Tr 305 × 6 | 807.4 |
| | 5.90 | EL-5006 | 113.18 | 668.13 | 18.67 | 24.56 | 3.14 | 15.72 | 7.03 | Tr 305 × 6 | 1027.4 |
| | 9.83 | EL-50010 | 113.18 | 1113.56 | 22.60 | 32.42 | 3.14 | 15.72 | 7.03 | Tr 305 × 6 | 1249.6 |
| 800 (880) | 1.97 | EL-6002 | 132.51 | 260.74 | 15.52 | 17.49 | 3.34 | 16.90 | 7.62 | Tr 330 × 6 | 983.4 |
| | 5.90 | EL-6006 | 132.51 | 782.23 | 19.45 | 25.35 | 3.34 | 16.90 | 7.62 | Tr 330 × 6 | 1238.6 |
| | 9.83 | EL-60010 | 132.51 | 1303.72 | 23.38 | 33.21 | 3.34 | 16.90 | 7.62 | Tr 330 × 6 | 1496 |
| 1000 (1100) | 1.97 | EL-8002 | 180.36 | 354.90 | 17.88 | 19.85 | 3.93 | 19.85 | 8.8 | Tr 385 × 6 | 1564.2 |
| | 5.90 | EL-8006 | 180.36 | 1064.69 | 21.81 | 27.71 | 3.93 | 19.85 | 8.8 | Tr 385 × 6 | 1916.2 |
| | 9.83 | EL-80010 | 180.36 | 1774.49 | 25.74 | 35.57 | 3.93 | 19.85 | 8.8 | Tr 385 × 6 | 2268.2 |
| | 1.97 | EL-10002 | 224.98 | 442.71 | 19.45 | 21.42 | 4.32 | 22.01 | 9.79 | Tr 430 × 6 | 2092.2 |
| | 5.90 | EL-10006 | 224.98 | 1328.12 | 23.38 | 29.28 | 4.32 | 22.01 | 9.79 | Tr 430 × 6 | 2514.6 |
| | 9.83 | EL-100010 | 224.98 | 2213.54 | 27.31 | 37.14 | 4.32 | 22.01 | 9.79 | Tr 430 × 6 | 2937 |